

# Printer Maintenance Kit Type 3800E

(Code: G767)

## MAINTENANCE GUIDE

### **⚠ WARNING:**

- ***Do not incinerate spilled toner or used toner. Toner dust is flammable and might ignite when exposed to an open flame. Disposal should take place at an authorized dealer or an appropriate collection site. If you dispose of the used toner containers yourself, dispose of them according to local regulations.***

### **⚠ CAUTION:**

- *The inside of the machine becomes very hot. Do not touch the parts with a label indicating a "hot surface". Touching a "hot surface" could result in a burn.*
- *Keep toner (used or unused) and the toner cartridge out of reach of children.*
- *Our products are engineered to meet the highest standards of quality and functionality. When purchasing expendable supplies, we recommend using only those provided by an authorized dealer.*

- 1** Check the contents of the box for the following items:

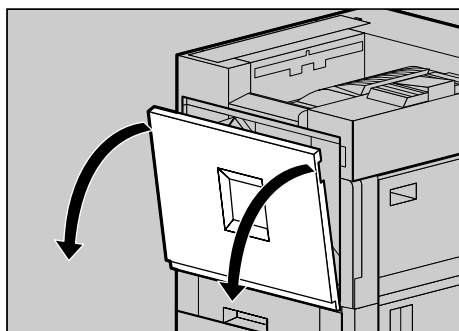
Description	Q'ty
Waste Toner Bottle	1
Maintenance Guide (This manual)	1

- 2** Be sure to check the following points:

- The power is turned off.
- The power cord is unplugged from the wall outlet.
- The interface cable is unplugged from the printer.

- 3** Turn off the power, and then unplug the power cable.

- 4** Slowly open the front cover by pulling down from the two areas on the left and right.

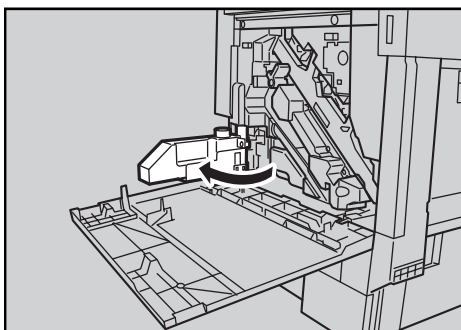


ZDJH007J

### **📌 Note**

- ☐ For machine models without waste oil bottles, proceed to step **6**.

- 5** Carefully pivot the waste oil bottle outward, in the direction of the arrow.

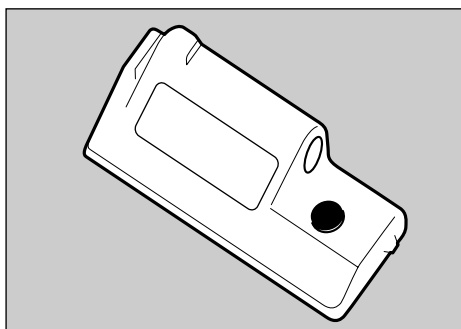


ZHXH150J

**CAUTION:**

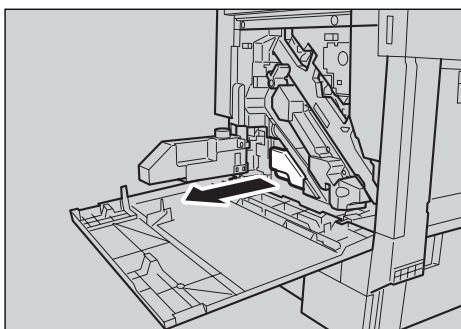
- Keep the waste oil bottle away from flames. There is a risk of fire or burns.

- 6** Take the new waste toner bottle out of the bag.



ZDJH228J

- 7** Slowly remove the used waste toner bottle from inside the printer.

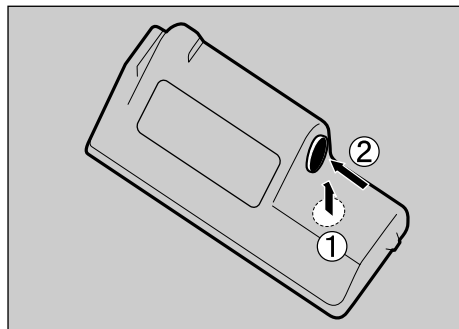


ZHXH590J

**Important**

- ❑ Be sure to remove the waste toner bottle horizontally.

- 8** Remove the lid (①), and then put it in the position shown in the illustration (②).



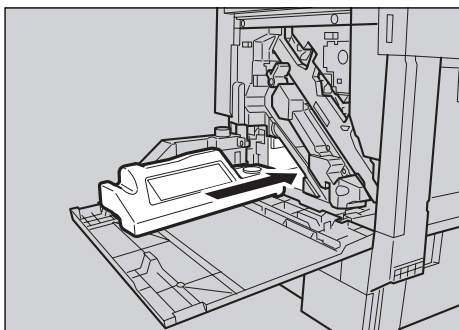
ZDJH228J

- 9** Put the used waste toner bottle into the bag that contained the new waste toner bottle, and then seal the bag.

**Important**

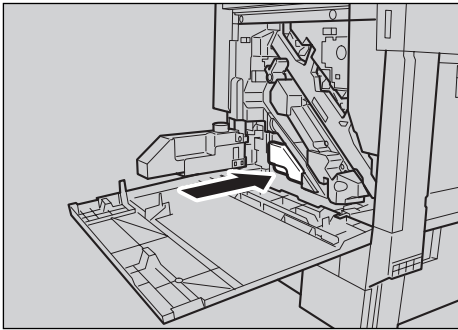
- ❑ Be sure to handle the bottle carefully so waste toner does not spill.

- 10** Insert the new waste toner bottle as shown.



ZHXH610J

**11** Push it in until it stops.



ZHXH600J

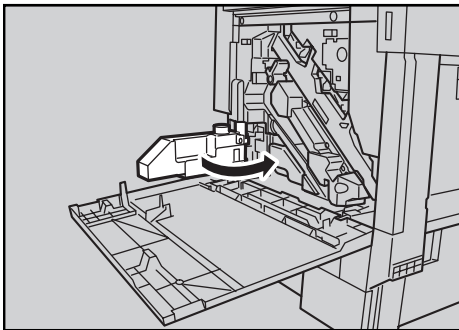
**Important**

- Be sure to firmly insert the waste toner bottle to avoid toner leakage inside the printer.

**Note**

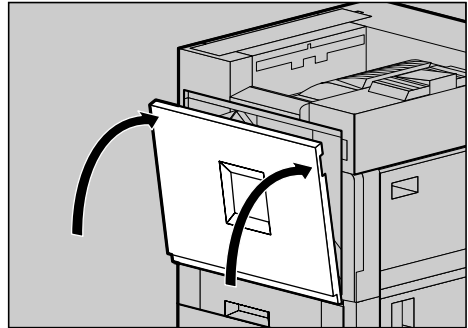
- For machine models without waste oil bottles, proceed to step 13.

**12** Slowly close the waste oil bottle in the direction of the arrow.



ZHXH160J

**13** Slowly close the front cover by pushing the two areas on the left and right.



ZDJH041J

**14** Plug in the power cable, and then turn on the power.